

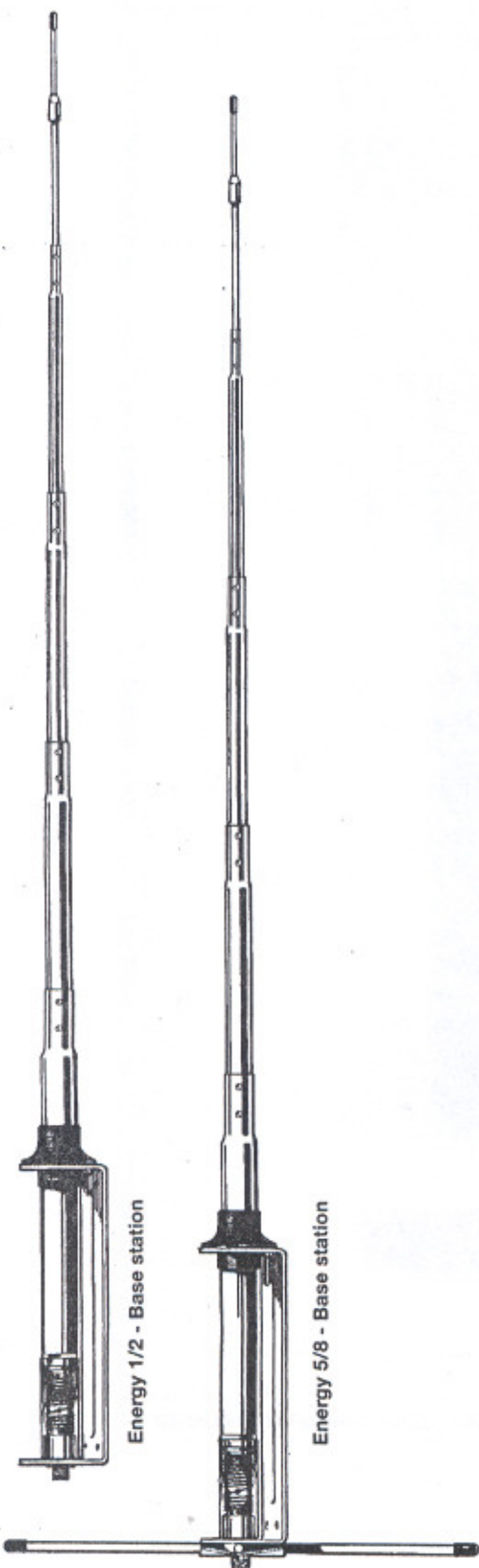
ENERGY 5/8 NEW cod.T242.02

ENERGY 1/2 NEW cod.T241.02

27 MHz CB Base Station Antennas

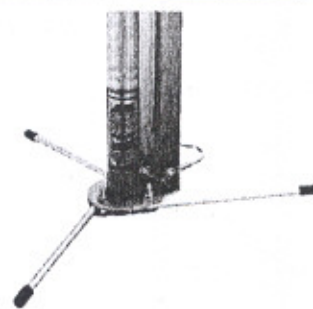
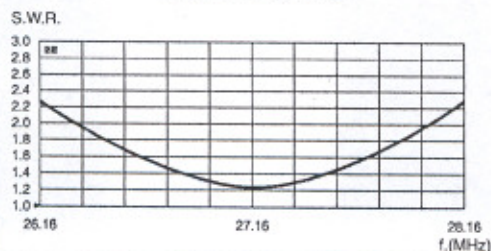
Base station antennas working on 27 MHz. They are made of anti-corodal aluminium tubes. Strong and easy to install, they allow very good links.

TECHNICAL DATA	Energy 5/8	Energy 1/2
Electrical Data		
Type	5/8 Ground Plane	1/2
Frequency range	25-29 MHz	
Impedance	50 Ohm	
Radiation (H-plane)	360° omnidirectional	
Polarization	Vertical	
Gain:	1.2 dBd, 3.35 dBi	0 dBd, 2.15 dBi
Bandwidth at V.S.W.R. 2:1	1600 KHz	
V.S.W.R. at res. freq.	1.3:1	
Max Power	500 Watts PEP	
Feed system/position	Transformer DC-ground / base	
Connection	SO 239	
Mechanical Data		
Materials	Aluminium, Steel, Copper, Nylon	
Wind resistance	130 Km/h	
Length (approx.)	6500 mm	5750 mm
Weight (approx.)	2500 gr	2100 gr
Radial length	1320 mm (Base Station 5/8 only)	
Mounting Mast	35-42 mm	



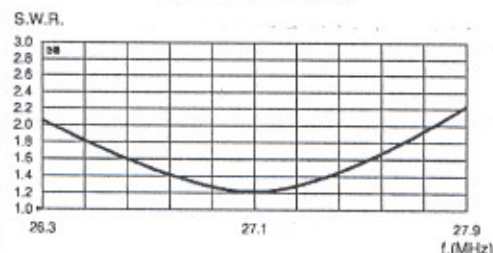
Energy 5/8

TYPICAL S.W.R. RESPONSE



Energy 1/2

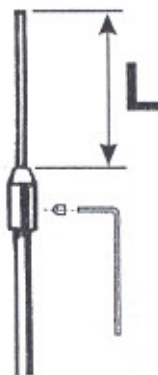
TYPICAL S.W.R. RESPONSE



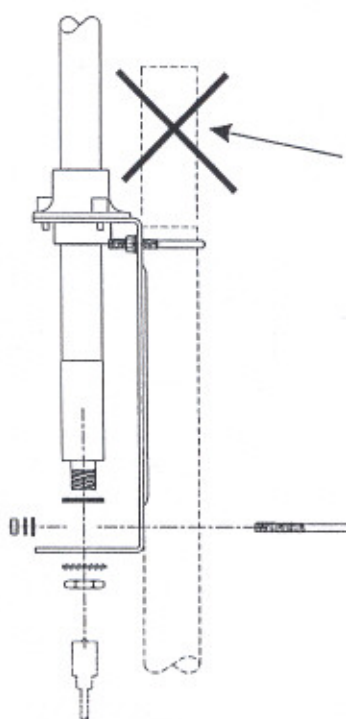
WWW.MIDLANDRADIO.EU

 **MIDLAND**

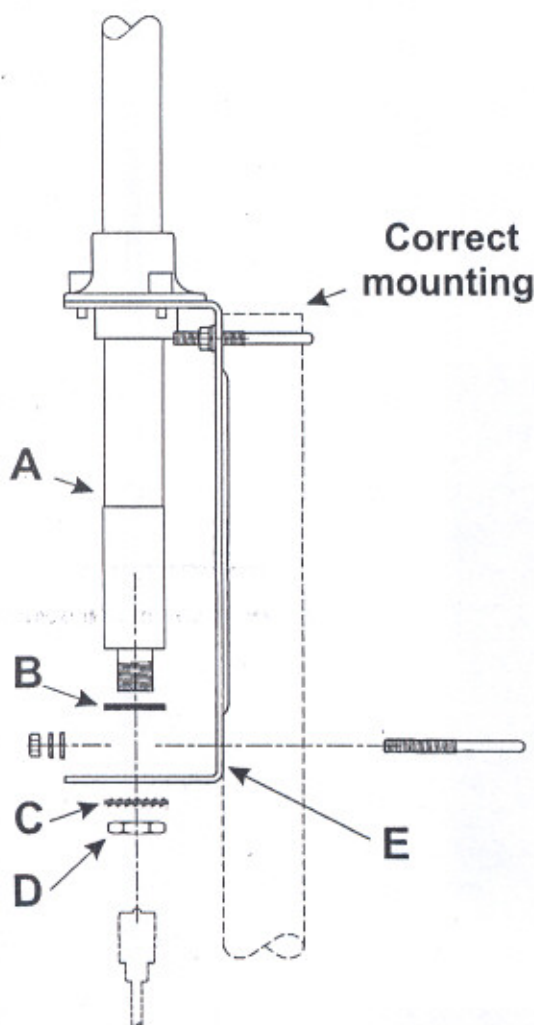
MOUNTING INSTRUCTIONS



TUNING TABLE		
Freq (MHz)	Energy 5/8 L (mm)	Energy 1/2 L (mm)
26.7	900	
27.0	816	900
(Ch.19 CB) 27.185	760	860
27.5	664	745
28.0	512	578
(10m band) 28.5	354	412
29.0	204	243
29.5	54	67



WARNING!
Wrong mounting



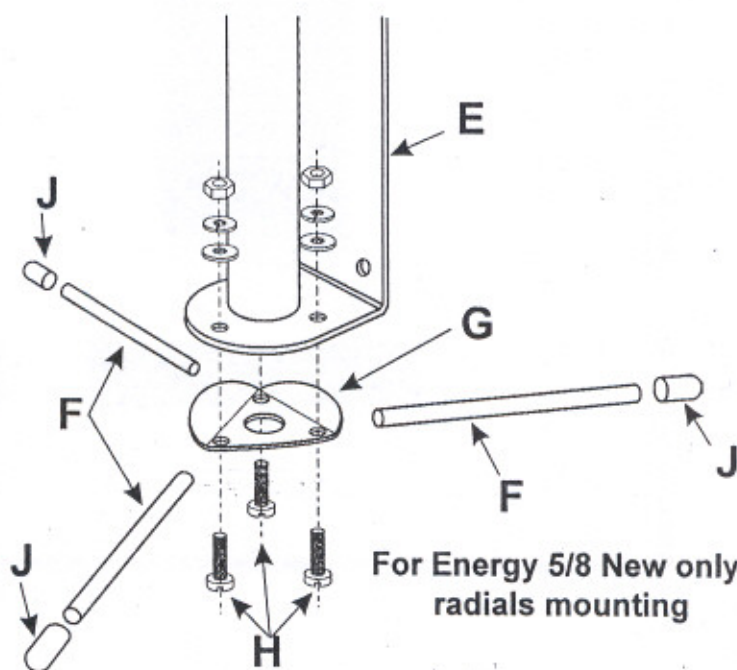
Correct mounting

Antenna fitting.

Fit the rubber washer **B** on the bottom of your antenna **A** and well lock parts **C** and **D** to the bracket **E** by using the suitable hexagonal key.

Energy 1/2 New: can be installed on the mast (see correct mounting).

Energy 5/8 New: before final installation on the mast please assemble the radials as follows: place the aluminium radials **F** between the bracket **E** and the metal plate **G** (according to the picture) and lock them by using the supplied screws **H**. Finally mount the PVC cap **J**.



For Energy 5/8 New only:
radials mounting

WWW.MIDLANDRADIO.EU

Prodotto o importato da: **CTE INTERNATIONAL srl**
Via. R. Sevardi 7 42010 Mancasale - Reggio Emilia - Italia
Prima dell'uso leggere attentamente le istruzioni.
Produced or imported by: **CTE INTERNATIONAL srl**
Via. R. Sevardi 7 42010 Mancasale - Reggio Emilia - Italy
Read the instructions carefully before installation and use.

